



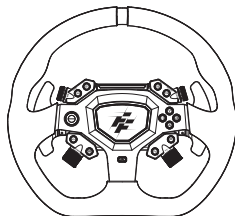
BAHRAIN STEERING WHEEL

3.2 Nm / DIRECT DRIVE

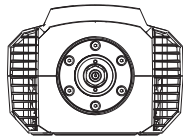
G103



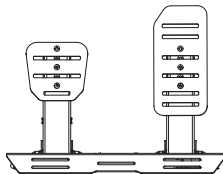
PACKAGE CONTENTS



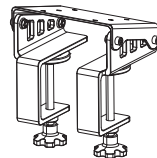
X1



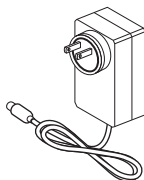
X1



X1



X1



X1

USB-B to Type-C



USB-A to Type-C



USB-A to USB Micro



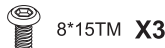
USB-A to Type-C



6P4C



M6 Bolt **X6**



8*15TM **X3**



6*55KM **X2**

Silencing Pad



X4

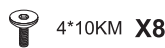
Adhesive Cable Clip



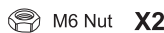
X2



6*35TM **X3**



4*10KM **X8**



M6 Nut **X2**



M8 Nut **X3**



2.5mm

X1



4mm

X1



5mm

X1



M6 & M8

X1

TABLE OF CONTENTS

EN 01 - 06

CN 07 - 12

■ WARNING — POWER SAFETY

- **Connection and Installation:** Use moderate force when connecting or removing the product. Do not twist or pull the ports or cables.
- **Liquid Protection:** Do not spill or splash any liquid onto the product or its connectors.
- **Storage Environment:** Store the product in a dry location. Do not dispose of in fire and avoid exposure to high humidity, high temperatures, or oily smoke.
- **Dedicated Power Cord:** Always use the power cord provided with the base. Do not use any other power cables.
- **Damage Inspection:** If the cable or connector appears damaged, cracked, or broken, please stop using it immediately.
- **Proper Connection:** Ensure the power cord is firmly inserted into the wall outlet and correctly connected to the port on the back of the base.
- **No Disassembly:** Do not attempt to disassemble, modify, or repair the product yourself. Any maintenance must be performed by the manufacturer, authorized representatives, or qualified technicians.
- **Authorized Accessories:** Only use mounting systems or accessories specified by the manufacturer.
- **Abnormalities:** If you notice any unusual noise, heat, or odor, please stop using it immediately and unplug the power cord and all other cables.
- **Long-term Storage:** Unplug the power cord if the product will not be used for an extended period. The wall outlet should be located near the equipment and easily accessible.

■ WARNING — FORCE FEEDBACK AND REPETITIVE MOVEMENTS MAY CAUSE INJURIES

TO AVOID ACCIDENTS OR INJURY, PLEASE FOLLOW THESE USAGE GUIDELINES:

- **Control playing time:** Avoid playing for too long in a single session.
- **Take Breaks:** Take a 10 to 15-minute break for every hour of use. If you experience fatigue or pain in your hands, wrists, arms, legs, or feet, please stop immediately and rest for several hours before starting again.
- **Persistent Discomfort:** If symptoms or pain persist after restarting the game, please discontinue use and consult a professional physician.
- **Children Safety:** Keep the product out of the reach of children.
- **Secure Mounting:** Ensure the racing wheel base is securely fastened according to the instructions in this manual.

■ VENTILATION

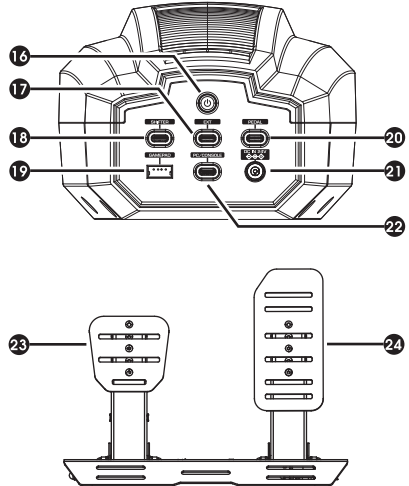
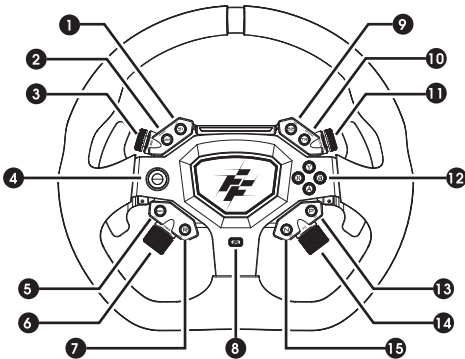
ENSURE ALL VENTILATION HOLES ON THE BASE REMAIN UNOBSTRUCTED. FOR OPTIMAL COOLING, PLEASE FOLLOW THESE REQUIREMENTS:

- **Maintain a distance of at least 10cm between the base and any wall surface.**
- **Do not place the base in cramped or poorly ventilated spaces.**
- **Do Not Cover:** Do not cover the base while it is in operation.
- **Dust Maintenance:** Regularly clean the ventilation holes to prevent dust buildup.

OVERVIEW

Engineered for PS4, PC, and Xbox One / Series X | S, this Direct Drive Force Feedback racing wheel is perfectly compatible with all major racing titles. It delivers precise, real-time tactile feedback and vibrations based on in-game vehicle conditions. Featuring a professional racing aesthetic and ergonomic design, it ensures comfort during long sessions and superior control accuracy. Supporting standard gaming protocols and equipped with a dual-pedal set, it significantly enhances realism, maneuverability, and driving immersion.

BUTTON LAYOUT



- 1. S1/L2
- 2. DRS/SHARE
- 3. BB (Encoder)
- 4. Analog Stick
- 5. BOX/L1
- 6. ABS (Encoder)

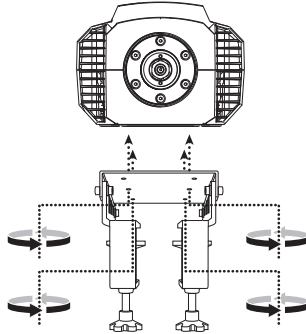
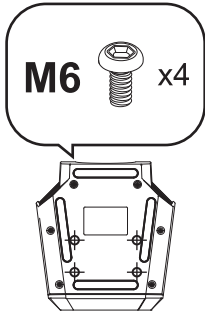
- 7. R/L3
- 8. HOME
- 9. S2/R2
- 10. TR/OPTIONS
- 11. ERS (Encoder)
- 12. A/B/X/Y

- 13. P/R1
- 14. TC (Encoder)
- 15. N/R3
- 16. POWER
- 17. EXT
- 18. SHIFTER

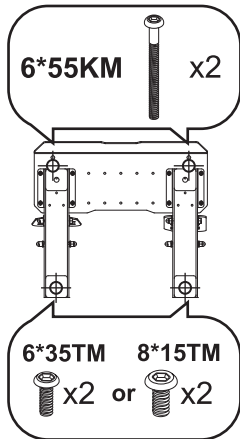
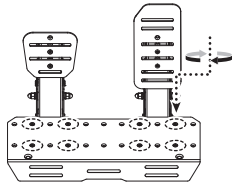
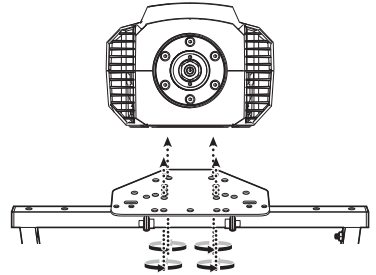
- 19. GAMEPAD
- 20. PEDAL
- 21. DC-IN
- 22. PC/CONSOLE
- 23. Brake
- 24. Accelerator

MOUNTING CLAMPS

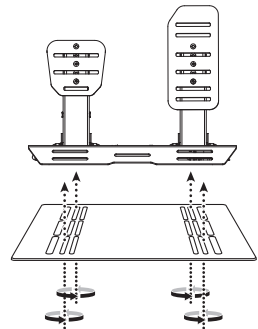
Installation of mounting clamps:



Installation of racing seat/stand:

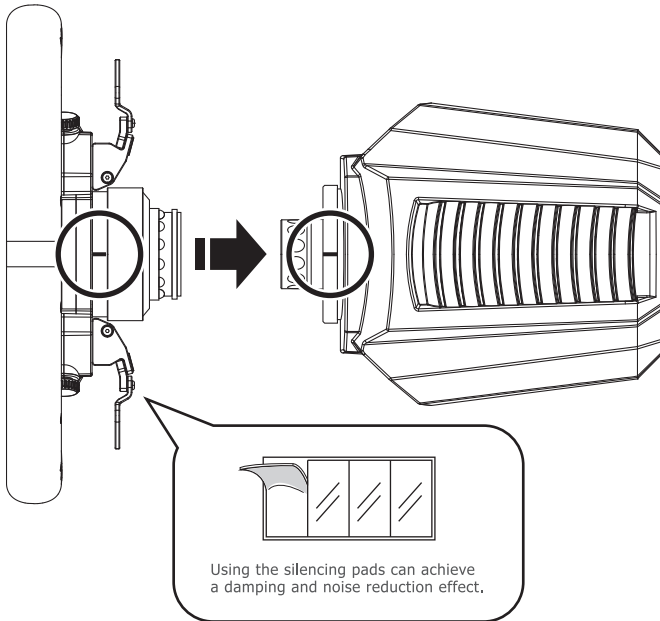


Installation of pedals on stand:



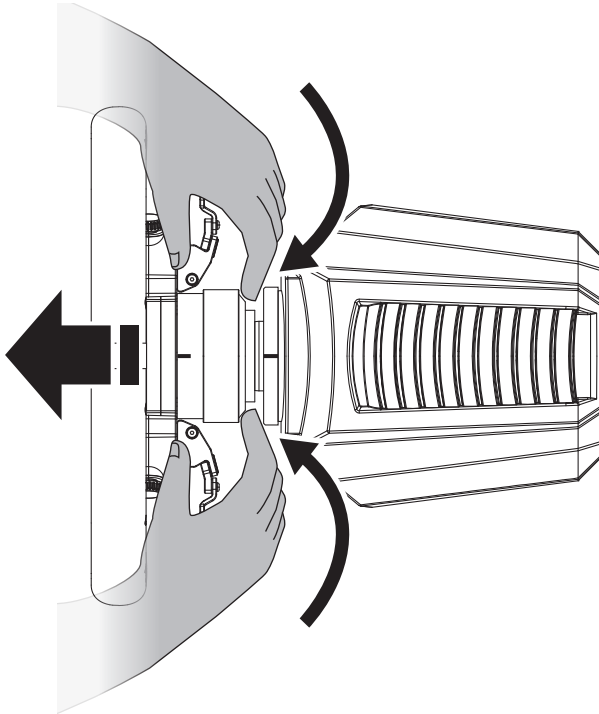
STEERING WHEEL AND BASE INSTALLATION:

1. Alignment: Align the marking line on the steering wheel's quick-release hub with the corresponding line on the base's quick-release mount.
2. Locking: Push the steering wheel toward the base. Once correctly aligned, the quick-release mechanism will automatically engage and lock the wheel into place.



DETACHING THE STEERING WHEEL

Grasp the quick-release sleeve with both hands, pull it toward the steering wheel rim, and then pull the wheel away from the base.



PC SETUP

1. Connect the pedal cable to the PEDAL port on the back of the base.
2. Plug the power adapter into the DC power port on the base.
3. Use the USB-C cable to connect the wheel base to your PC.
4. Press the Power button to turn on the wheel.
 - Successful Connection: The Red LED on the rim will remain Solid.
 - Connection Failed: A flashing LED indicates that the connection was unsuccessful.

PS4 CONSOLE SETUP

1. Connect the pedal cable to the PEDAL port on the base.
2. Plug the power adapter into the base's power port.
3. Connect an original PS4 controller to the GAMEPAD port on the base.
(Note: The PS4 controller must be OFF. Long-press the PS button until the light bar turns off.)
4. Use the USB-C cable to connect the wheel base to the PS4 console.
5. Press the Power button to turn on the wheel.
 - Successful Connection: The Blue LED on the rim will remain Solid.
 - Connection Failed: A flashing LED indicates that the connection was unsuccessful.

XBOX CONSOLE SETUP

1. Connect the pedal cable to the PEDAL port on the base.
2. Plug the power adapter into the base and connect the system to the Xbox console.
3. Connect an original XBOX controller to the GAMEPAD port on the base.
4. Press the Power button to turn on the wheel.
 - Successful Connection: The Green LED on the rim will remain Solid.
 - Connection Failed: A flashing LED indicates that the connection was unsuccessful.

※ Disclaimer: This is a third-party product and is not officially licensed. It may not be fully compatible with all Xbox titles.

ADVANCED APP SETTINGS

- iOS: Search for "Racing Wheel2" in the App Store.
 - Android: Search for "Racing Wheel2" in the Google Play Store.
 - PC: Download from the FlashFire website: <https://flashfire.tw>
- Connect the App to the base via Bluetooth to access advanced steering wheel configurations.

KEY FEATURES:

- Rotation Angle: Customize the effective steering range.
- Pedal Linearity: Adjust the sensitivity and response curve of the pedals.
- Force Feedback (FFB) Tuning: Adjust the intensity of the feedback torque.
- Function Test: Real-time diagnostic tool for buttons and axes.

警告一 電源安全：

- 連接與拆裝：安裝或移除本產品時，請適度施力，切勿用力扭曲或拉扯連接埠與線材。
- 液體防護：請勿將任何液體濺灑於產品或其連接埠上。
- 存放環境：請將本產品置於乾燥處，嚴禁投入火中，並避免暴露於潮濕、高溫、油煙等環境。
- 專用電源線：請務必使用隨底座附帶的電源線，切勿更換使用其他電源線。
- 檢查損壞：若電纜或連接頭出現損壞、開裂或破損，請立即停止使用。
- 正確連接：確保電源線已確實插入電源插座，並正確連接至底座背面的連接埠。
- 嚴禁拆解：請勿自行拆解、改裝或修理本產品。任何維修作業必須由製造商、其授權代表或合格技術人員進行。
- 指定配件：僅限使用製造商指定的固定系統或配件。
- 異常處理：若產品出現異常聲音、發熱或異味，請立即停止使用，並從插座拔除電源線及其他所有線材。
- 長時間收納：若長時間不使用，請將電源線從插座拔除。電源插座應位於設備附近，並保持插拔便利。

警告一 力回饋與重複動作可能造成的傷害

為避免發生意外，請參考以下使用建議：

- 控制遊戲時間：避免單次遊戲時間過長。
- 適度休息：每使用一小時應休息 10 到 15 分鐘。若感到手部、手腕、手臂、腿部或腳部疲勞或疼痛，請立即停止並休息數小時後重新開始。
- 持續不適：重新開始遊戲後若症狀或疼痛持續存在，請停止使用並諮詢專業醫師。
- 兒童安全：請將產品放置於兒童接觸不到的地方。
- 確保固定：請確保賽車方向盤底座已依照本手冊說明完成固定。

通風

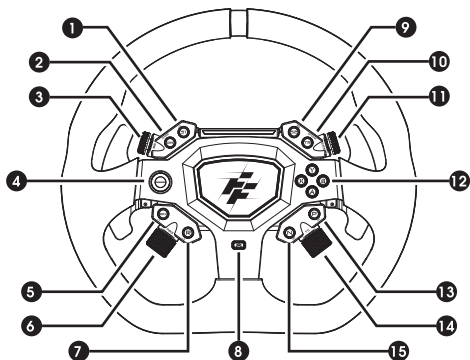
確保底座上的所有通氣孔保持暢通。為達到最佳散熱效果，請務必做到以下幾點：

- 底座與牆面應保持至少 10cm 的距離。
- 請勿將底座置於狹窄、不通風的空間內。
- 切勿覆蓋：運作時請勿遮蓋底座。
- 防塵清潔：請定期清理通氣孔，避免灰塵堆積。

概述：

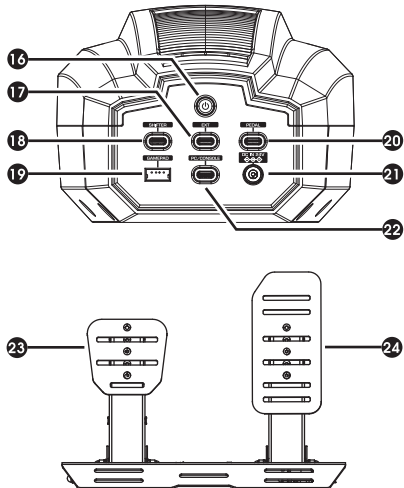
本直驅力回饋方向盤專為 PS4、PC、XBOX ONE/X/S 打造，完美適配主流賽車遊戲，可根據遊戲車況即時呈現細膩回饋與震動。模擬賽車外觀搭配人體工學設計，長時間握持不累，操控更精準。支援標準遊戲協定，配備雙踏板，大幅提升駕駛真實感、操作性與遊戲樂趣。

按鍵功能示意圖：



- 1. S1/L2
- 2. DRS/SHARE
- 3. BB (編碼器)
- 4. 類比搖桿
- 5. BOX/L1
- 6. ABS (編碼器)

- 7. R/L3
- 8. HOME
- 9. S2/R2
- 10. TR/OPTIONS
- 11. ERS (編碼器)
- 12. A/B/X/Y



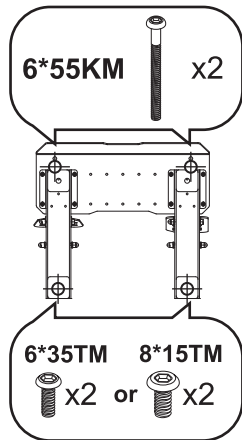
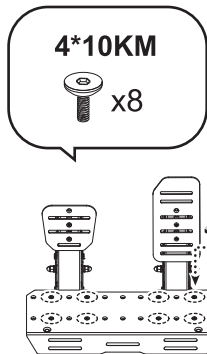
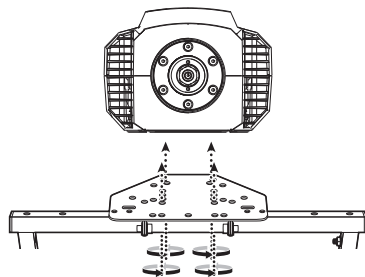
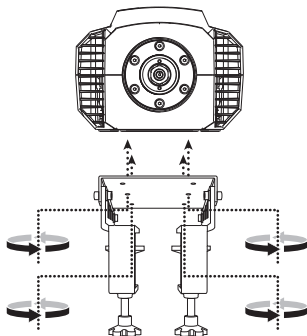
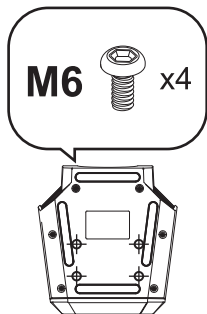
- 13. P/R1
- 14. TC (編碼器)
- 15. N/R3
- 16. 電源開關
- 17. 擴展接口
- 18. 排檔桿接口

- 19. 手把引導孔
- 20. 腳踏板接口
- 21. DC-IN 電源接口
- 22. PC/遊戲主機接口
- 23. 煞車
- 24. 油門

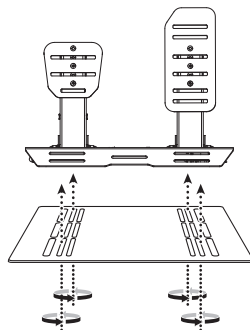
■ 固定方式：

夾具安裝方式

賽車椅支架安裝方式

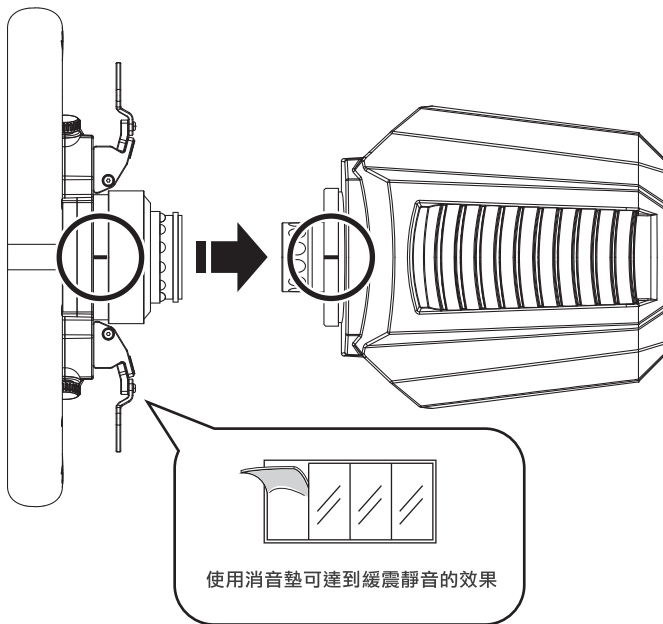


踏板在支架上的安裝



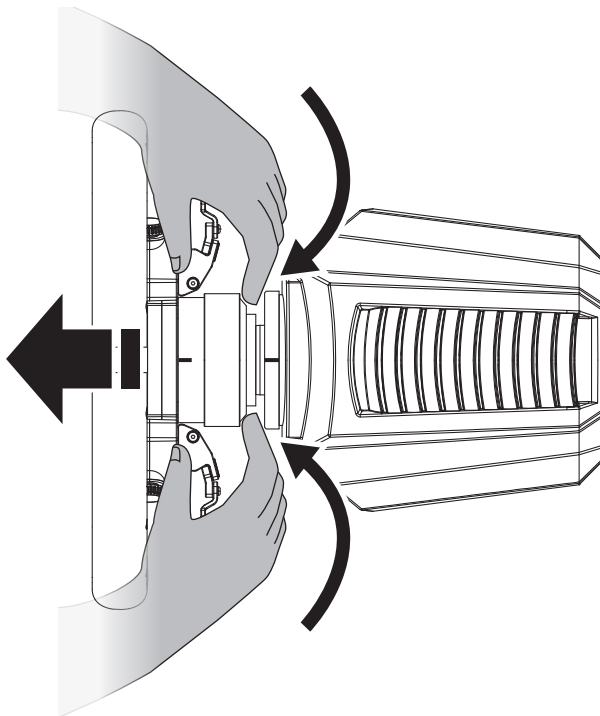
■ 盤面和基座安裝方式：

1. 將方向盤快拆頭的安裝線對準基座快拆底座上的對應安裝線。
2. 將方向盤推向基座，正確對準後會自動吸入鎖緊。



■ 盤面與基座拆開方式

雙手握住快拆部份，往盤面方向按壓，再將盤面拉出。



■ PC 使用方式：

1. 把腳踏板連接線接入到基座腳踏板接口。
2. 將變壓器接入到基座電源接口。
3. 使用 USB-C 傳輸線，將方向盤基座與 PC 進行連接。
4. 按一下電源按鍵開機啟動方向盤，連接成功時盤面紅色 LED 燈是常亮狀態，LED 閃爍表示沒有連接成功。

■ PS4 主機使用方式：

1. 把腳踏板連接線接入到基座腳踏板接口。
2. 將變壓器接入到基座電源接口。
3. 將 PS4 原裝手把接入到基座 GAMEPAD 接口。
(PS4 手把需為關機狀態，長按手把 PS 鍵直到手把燈示熄滅代表關機)
4. 使用 USB-C 傳輸線，將方向盤基座與 PS4 主機進行連接。
5. 按一下電源按鍵開機啟動方向盤，連接成功時盤面藍色 LED 燈是常亮狀態，LED 閃爍表示沒有連接成功。

■ XBOX 主機使用方式：

1. 把腳踏板連接線接入到基座腳踏板接口。
 2. 將變壓器接入到基座電源接口，並與 XBOX 主機進行連接。
 3. 將 XBOX 原裝手把接入到基座 GAMEPAD 接口。
 4. 按一下電源按鍵開機啟動方向盤，連接成功時盤面綠色 LED 燈是常亮狀態，LED 閃爍表示沒有連接成功。
- ※ 本產品為第三方產品，並非官方授權產品，可能與部分 XBOX 遊戲並不完全相容。

■ APP 進階設定：

- iOS 下載地址：App Store 搜尋【Racing Wheel2】。
- Android 下載地址：Play Store 搜尋【Racing Wheel2】。
- PC 下載位置：<https://flashfire.tw> 富雷迅官網下載。

APP 連接基座後可進行方向盤進階設定。

APP 主要功能說明：

- 方向盤轉向有效角度設定
- 腳踏板功能線性設定
- 方向盤力回饋數值調節
- 方向盤功能測試



www.flashfire.tw

Distribution in Taiwan :

Flash Fire Accessories Inc.

8F-4, No.14, Ln. 609, Sec. 5, Chongxin Rd.,

Sanchong Dist., New Taipei City 24159, Taiwan

Tel: +886-2-2999-1588

